

Rebris E
Single lever bath mixer for exposed installation
 Surface: **Matt Black** Article Number: **72450670**



Description

product features

- 2 functions
- projection: 182 mm
- centre distance: 150 ± 12 mm
- spray type mixer: normal spray
- maximum flow rate at 3 bar: 20,4 l/min
- flow rate for bath spout at 3 bar: 20,4 l/min
- flow rate of hand shower at 3 bar: 15,5 l/min
- ceramic cartridge
- temperature limitation adjustable
- diverter with automatic resetting
- protected against backflow, according to DIN EN 1717
- with silencer
- suitable for continuous flow water heaters
- connection dimension: DN15
- connection type: s-shaped connections
- min. operating pressure: 1 bar
- max. operating pressure: 10 bar

Technology



Design awards



DESIGN
AWARD
2022



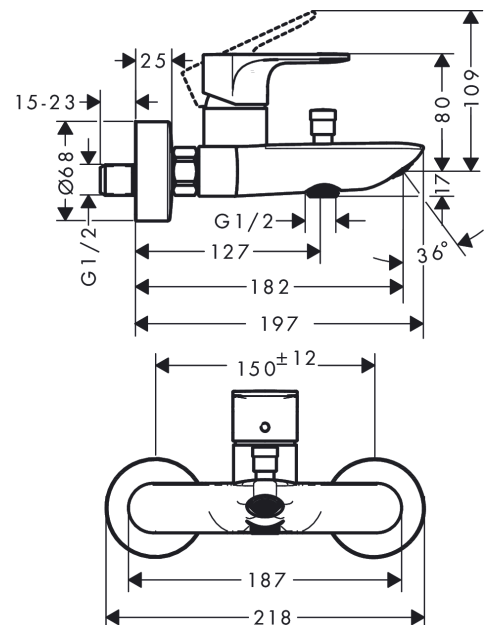
reddot winner 2022



Product image



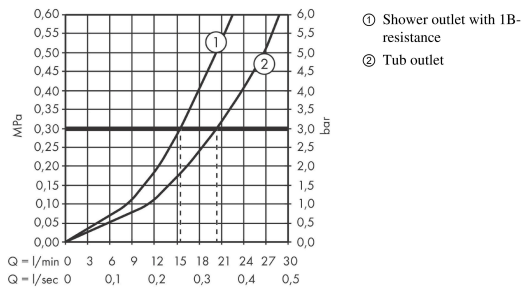
Scale drawing



Rebris E
Single lever bath mixer for exposed installation
 Surface: **Matt Black** Article Number: **72450670**



Flowchart

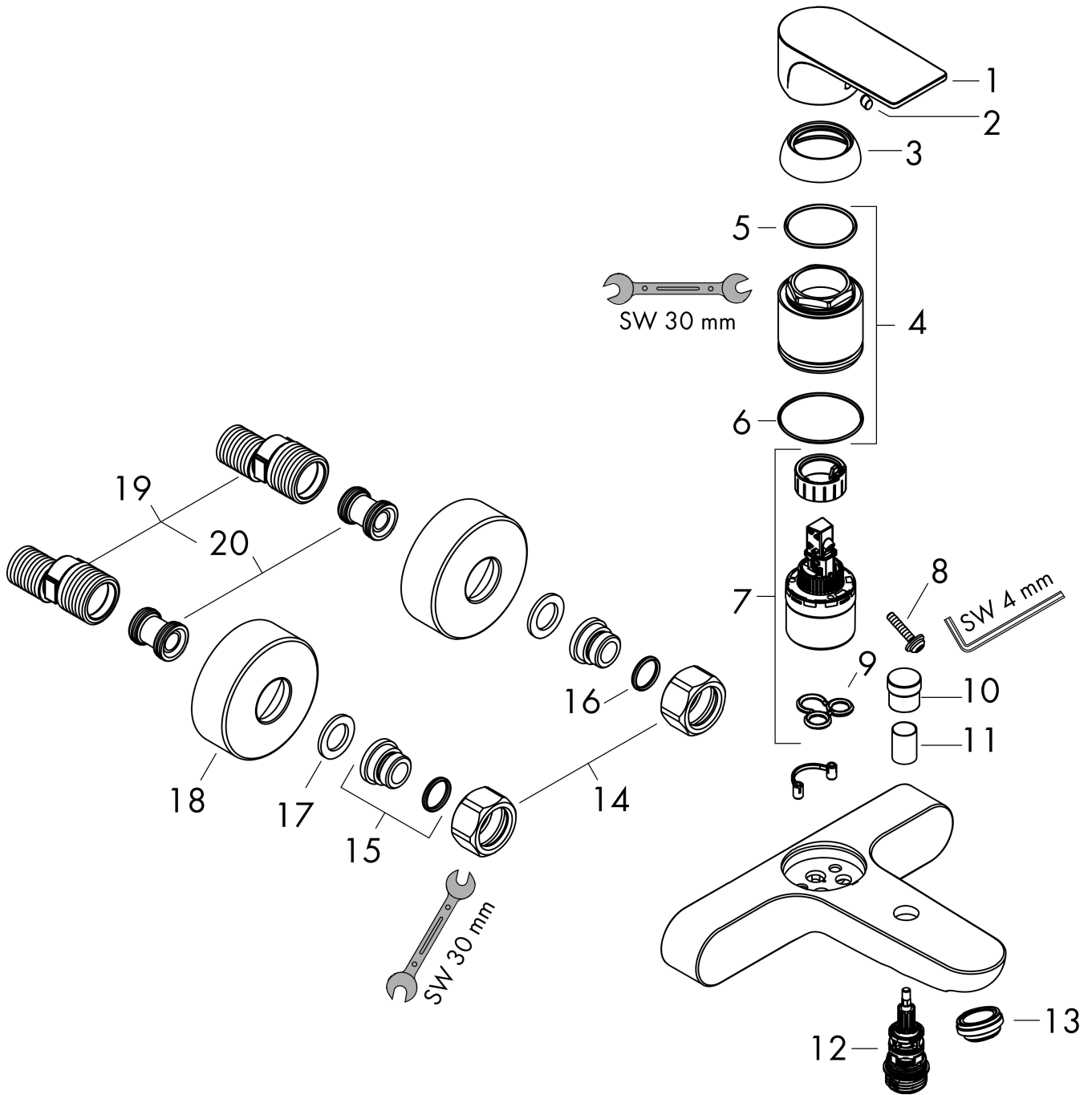


Rebris E
Single lever bath mixer for exposed installation
 Surface: **Matt Black** Article Number: **72450670**



Exploded Drawing

Year of production: >06/22



Rebris E

Single lever bath mixer for exposed installation

Surface: **Matt Black** Article Number: **72450670**



Spare part list

Year of production: >06/22

Pos.	Description	Article Number	Price	PU
1	handle	94655000	€ 45,82	1
2	screw cover	96338000	€ 3,33	1
3	flange	97406000	€ 18,80	1
4	nut	97977000	€ 36,89	1
5	O-Ring 32x2	98193000	€ 3,33	1
6	O-ring 33x1,5	98164000	€ 3,33	1
7	cartridge, assy	92730000	€ 58,67	1
8	locking screw for handle	95140000	€ 5,36	1
9	seal	95008000	€ 8,69	1
10	diverter knob	97981000	€ 18,80	1
11	sleeve	97979000	€ 14,28	1
12	selector	97978000	€ 58,67	1
13	aerator M24x1 (30 l/min)	94656000	€ 5,36	1
14	set of nuts	96157000	€ 28,92	1
15	connecting thread	97220000	€ 14,28	1
16	O-ring 15x2	98163000	€ 3,33	1
17	filter packing	96922000	€ 8,69	1
18	escutcheon Ø 68 mm	96467000	€ 18,80	1
19	set of S-unions (±12 mm)	94140000	€ 45,82	1
20	noise reduction	96429000	€ 5,36	1